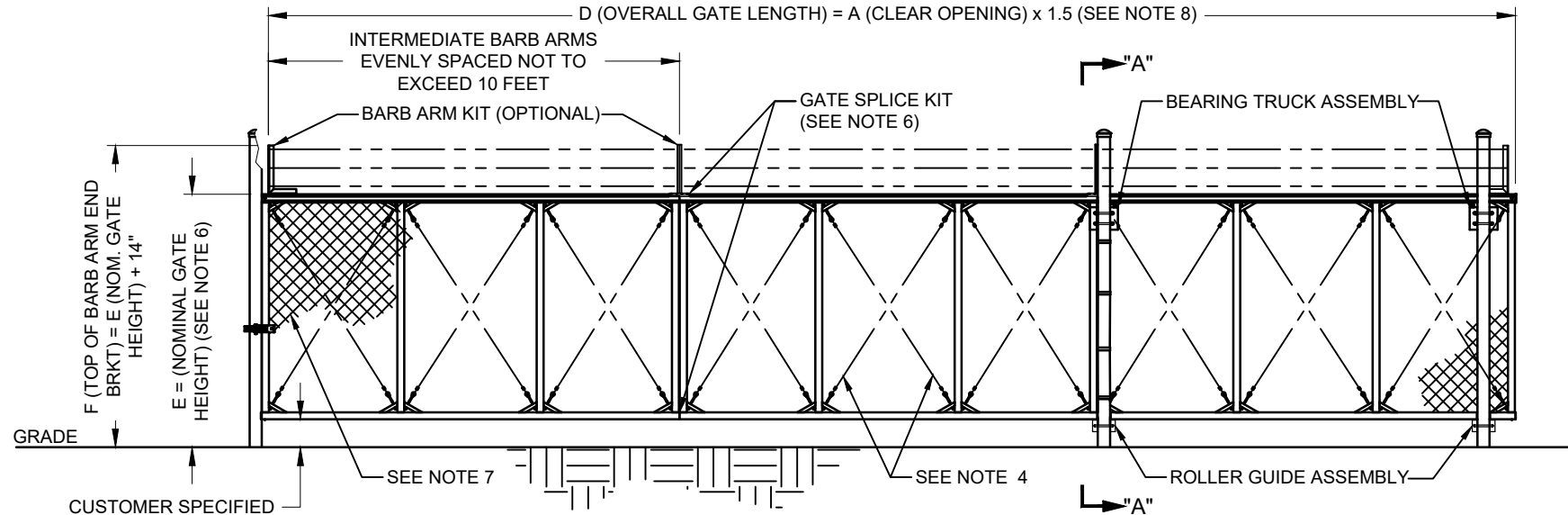


**PLAN VIEW**  
SCALE: 1"=48"



**ELEVATION**  
SCALE: 1"=48"  
UNSECURED AREA LOOKING IN

**NOTES:**

1. GATE OPERATOR INSTALLATION AND SAFETY STANDARD PER UL 325 (STANDARD FOR DOOR, DRAPERY, GATE, LOUVER, AND WINDOW OPERATORS AND SYSTEMS).
2. GATE FABRICATION AND SAFETY STANDARD PER ASTM F2200 (AUTOMATED VEHICULAR GATE CONSTRUCTION)
3. GATE FRAME CONSTRUCTED USING ALUMINUM 6061-T6 FOR SUPERIOR CORROSION RESISTANCE AND STRUCTURAL INTEGRITY.
4. TWO 5/16" EYE BOLT AND 1/4" GALVANISED STEEL CABLES FOR GATE FRAME ADJUSTMENT.
5. PRODUCT IS SOLD AS KITS i) GATE SEGMENT KIT, ii) HARDWARE KIT, iii) SPLICE KIT, iv) GAP FILLER (OPTIONAL), v) BARB ARM KIT (OPTIONAL).
6. THE STANDARD 10' LONG SEGMENT CAN BE SPLICED TOGETHER TO REACH REQUIRED OVERALL LENGTH WITH OPTIONAL HEIGHTS FROM 6' AND 7'.
7. GATE OPENING TO BE FULLY SCREENED USING GALVANIZED STEEL CHAIN LINK. MESH KIT (OPTIONAL).
8. USED FOR OPENINGS BETWEEN 31 AND 60 FEET.

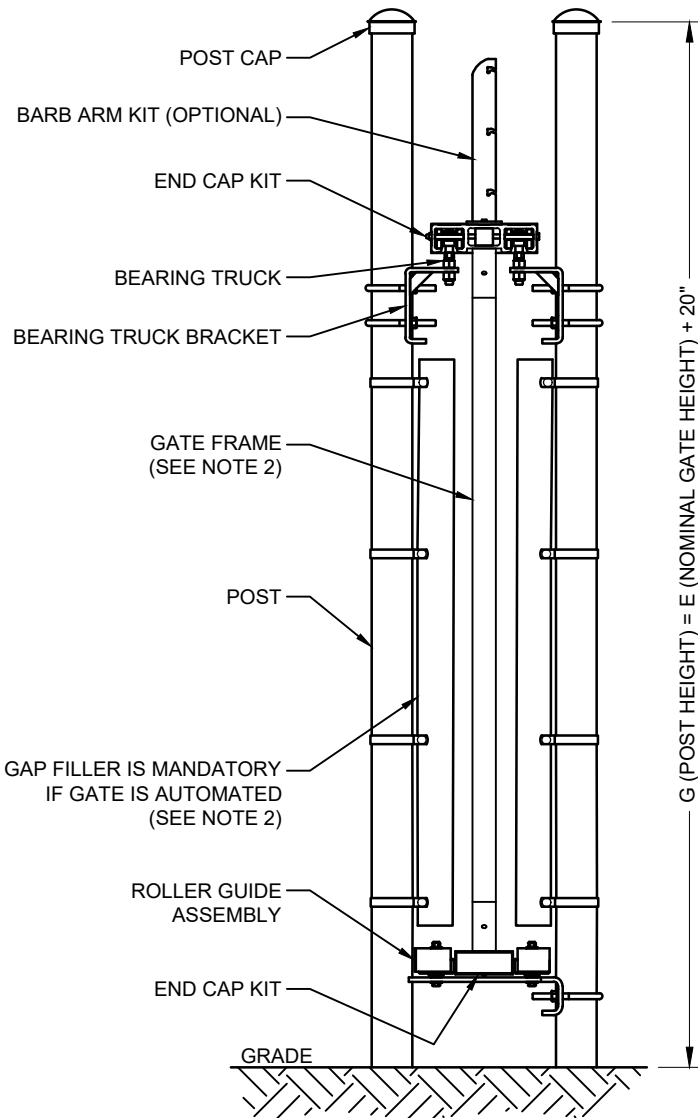


927 Alloy Drive, Thunder bay Ontario P7B 5Z8  
Ph. 807-623-3352 WWW.CMSSI.COM

TITLE:  
**DOUBLE-GATE INDUSTRIAL  
CANTILEVER ALUMINUM**

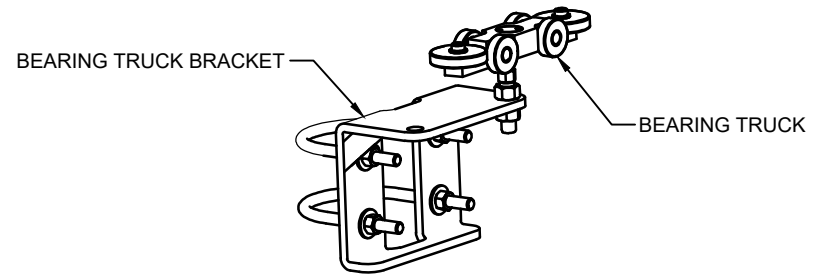
APPROVED BY: <b>B. SYLVESTER</b>	DRAWN BY: <b>P. SCARFO</b>	DATE: <b>11/FEB/20</b>	SCALE: <b>AS NOTED</b>
-------------------------------------	-------------------------------	---------------------------	---------------------------

DRAWING No: <b>GICA-SEGMENTED-0001D</b>	SHT No.: <b>1 OF 2</b>
--	---------------------------

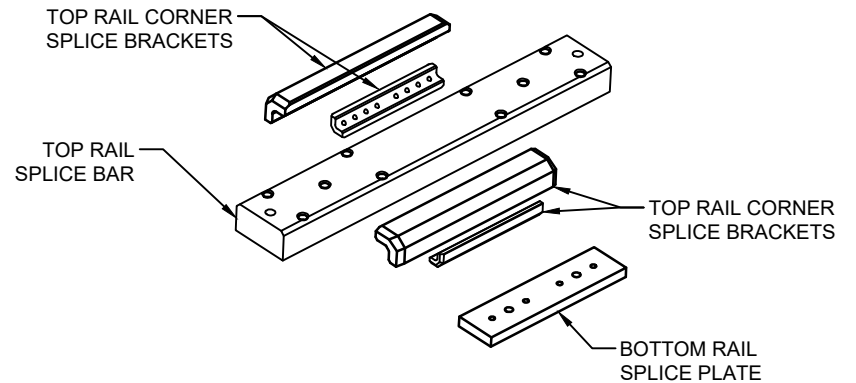


**SECTION: A-A**  
SCALE: 1"=16"

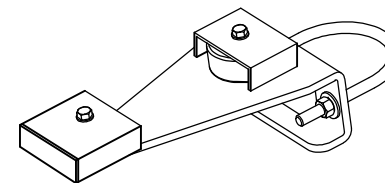
UNSECURED AREA  
LOOKING IN



**BEARING TRUCK ASSEMBLY**  
SCALE: NTS



**SPLICE KIT COMPONENTS**  
SCALE: NTS



**ROLLER GUIDE ASSEMBLY**  
SCALE: NTS



927 Alloy Drive, Thunder bay Ontario P7B 5Z8  
Ph. 807-623-3352 WWW.CMSSI.COM

TITLE:  
**DOUBLE-GATE INDUSTRIAL  
CANTILEVER ALUMINUM**

APPROVED BY: <b>B. SYLVESTER</b>	DRAWN BY: <b>P. SCARFO</b>	DATE: <b>11/FEB/20</b>	SCALE: <b>AS NOTED</b>
DRAWING No: <b>GICA-SEGMENTED-0001D</b>			SHT No.: <b>2 OF 2</b>